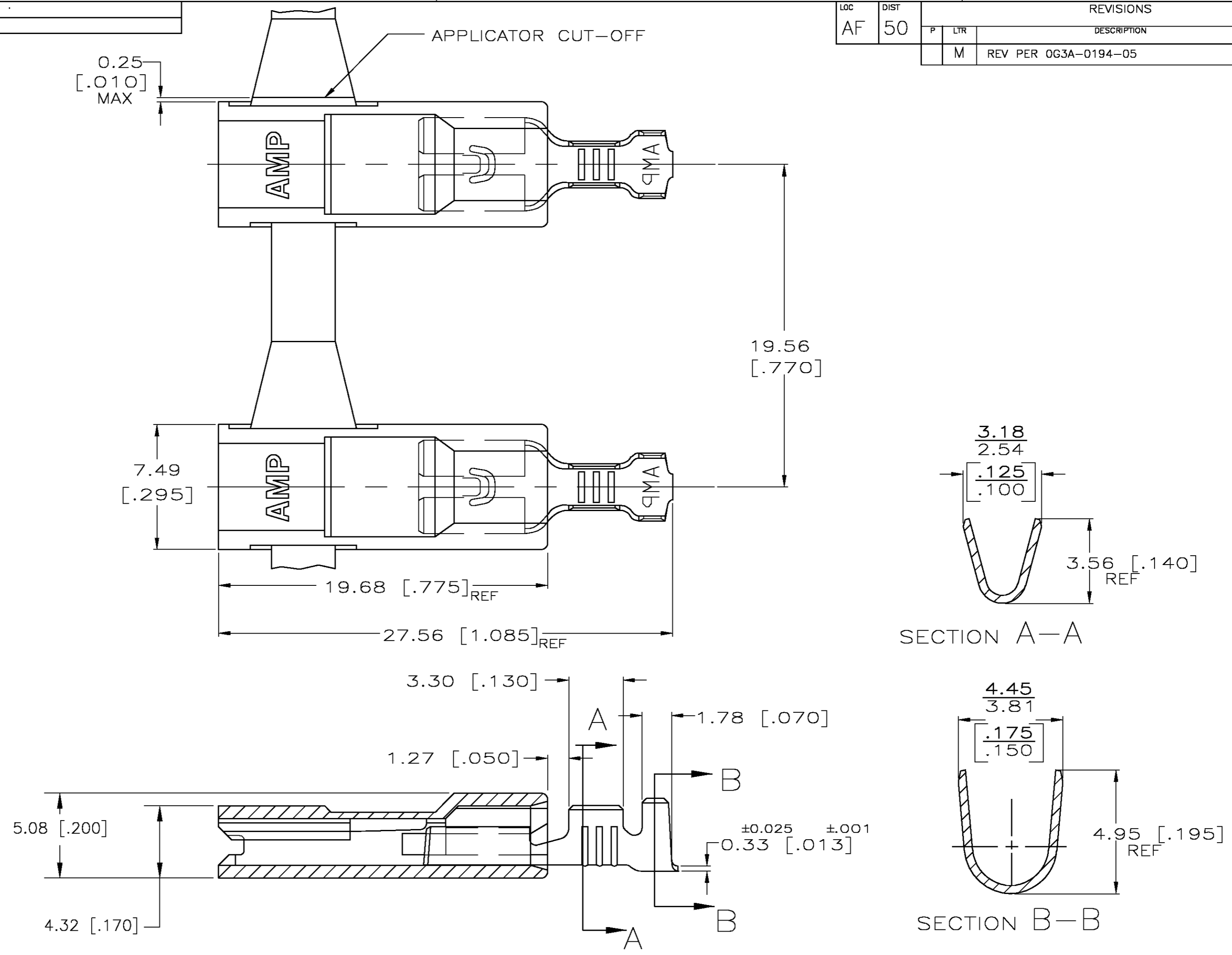


THIS DRAWING IS UNPUBLISHED. RELEASED FOR PUBLICATION
 © COPYRIGHT BY TYCO ELECTRONICS CORPORATION. ALL RIGHTS RESERVED.

LOC	DIST	REVISIONS					
AF	50	P	LTR	DESCRIPTION	DATE	DWN	APVD
		M		REV PER 0G3A-0194-05	22JUN05	JR	GP



- 1 FASTON TERMINALS, BASE P/N 63653, ARE USED IN THIS PRODUCT.
- 2 TIN PLATE PER MIL-T-10727 .002032 [.000080] MIN.
- 3 MATERIAL: HOUSING - 6/6 NYLON
TERMINAL - H04 BRASS
- 4 FINISH: HOUSING - COLOR, NATURAL
TERMINAL - SEE TABLE

OBSOLETE	BULK	TIN 2					5-520973-2
OBSOLETE	BULK	PLAIN					5-520973-1
	STANDARD	TIN 2	2.29-3.30 [.090-.130] DIA	0.5-1.3 mm ² [20-16]	0.508 [.020]		520973-2
	STANDARD	PLAIN					520973-1
	PACKAGING	TERMINAL FINISH	INSULATION RANGE	WIRE SIZE	MATING TAB THK ±0.025 [±.001]		PART NO.
THIS DRAWING IS A CONTROLLED DOCUMENT.			DWN JR RUTH 3/20/90		Tyco Electronics Corporation Harrisburg, Pa 17105-3608		
DIMENSIONS: INCHES			TOLERANCES UNLESS OTHERWISE SPECIFIED:		NAME R KUZO		
0 PLC ± -			1 PLC ± -		PRODUCT SPEC 118-1285		
2 PLC ± -			3 PLC ± 0.25 [.010]		APPLICATION SPEC 114-2124		
4 PLC ± -			ANGLES ± -		SIZE A2 CAGE CODE 00779 DRAWING NO C=520973		
FINISH 3			FINISH 4		RESTRICTED TO		
MATERIAL -					WEIGHT -		
CUSTOMER DRAWING					SCALE 5:1 SHEET 1 OF 1 REV M		